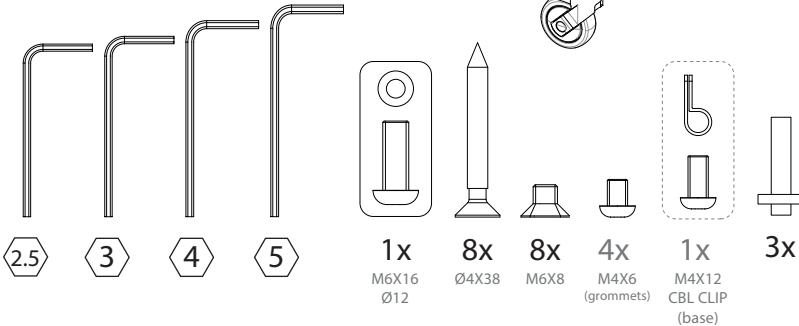
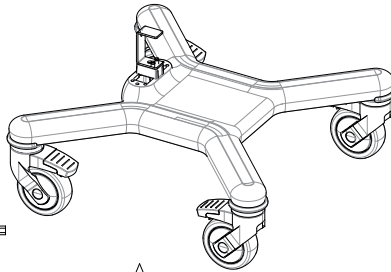
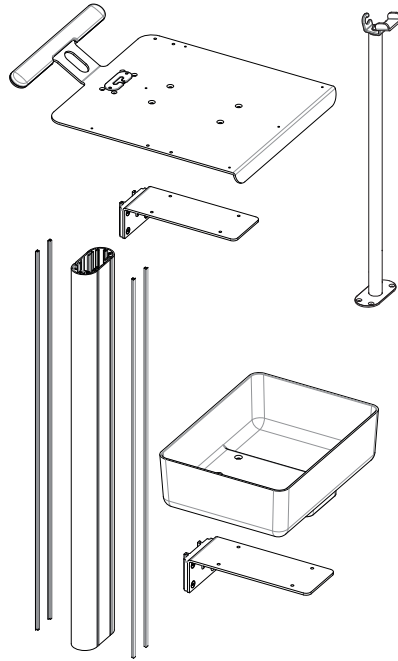


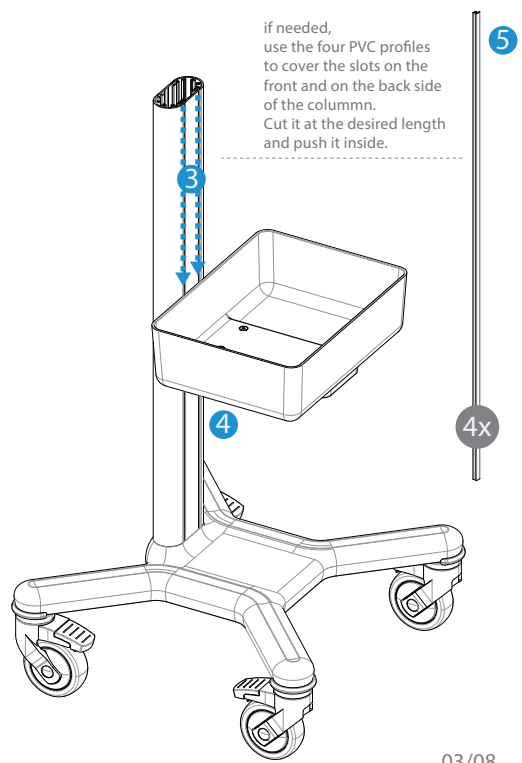
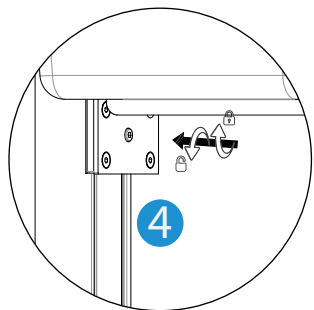
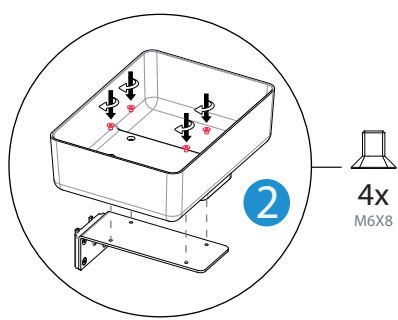
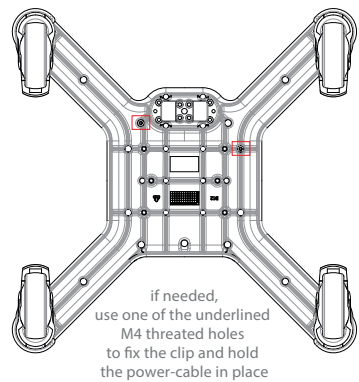
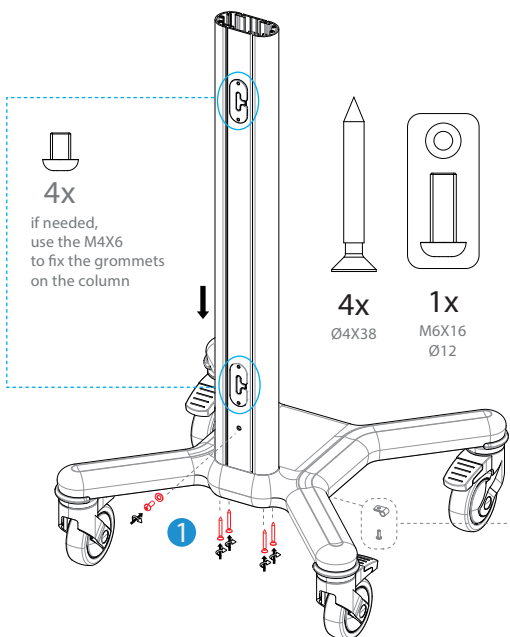
Installation Guide

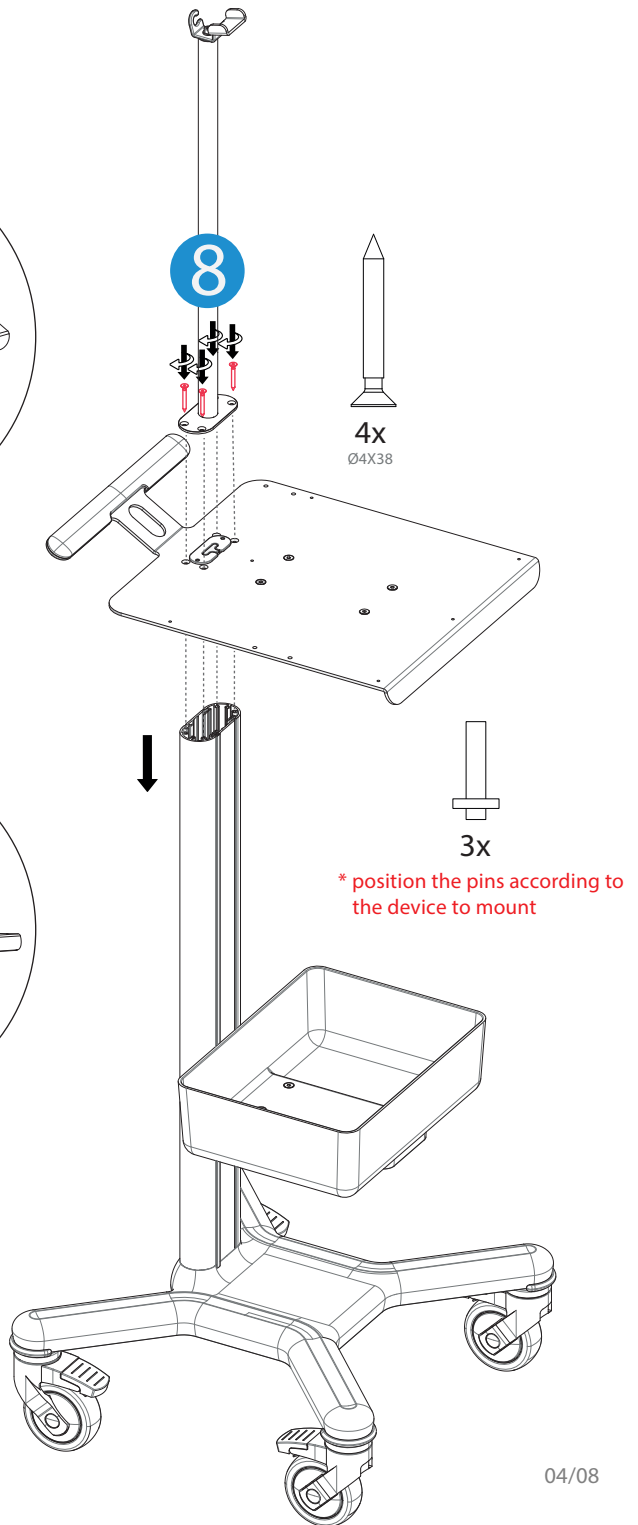
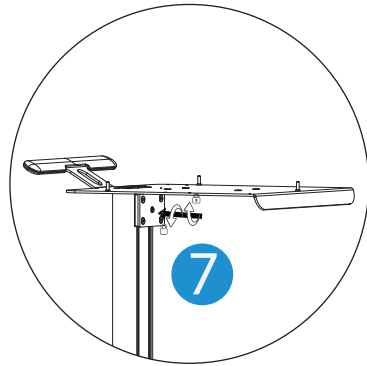
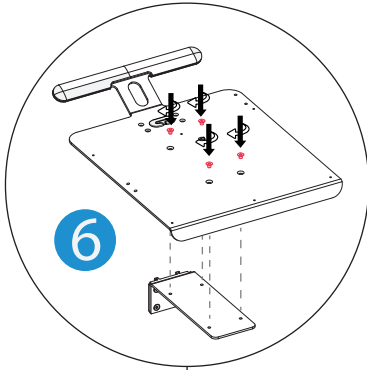
SPACELABS HEALTHCARE

! All the accessories must be assembled before the console

* position the pins according to the device to mount







INTENDED USE

The **X1 Trolley** enables the transport of the **CardioPulse Prime device** and its accessories between points of therapy in the hospital environment and limited care facility environment.



GENERAL SAFETY OBLIGATIONS

- The Trolley instructions must be read before use.
- Keep the instructions for future reference.
- The Product was created exclusively for the methods mentioned in the instruction manual.
- Any other use is to be considered improper.
- Multix Solutions is not liable for damages to persons and/or things due to improper use.
- Tampering or damage caused by incorrect use of the product leads to the immediate forfeiture of the guarantee.
- When a **CardioPulse Prime device** is mounted on the trolley, it will be the responsibility of **SCHILLER** to ensure that the system complies with the current applicable standards, EN 60601-1 current version.

GENERAL WARNING AND CAUTION

The safety of the trolley is guaranteed by carefully following the instructions below.

1. Make sure the cart matches the illustration in the manual.
 - Check that it is not broken or damaged during transport.
 - Check that the moving and locking parts such as wheels, brakes and (if present) the gas spring are functional.
 - All four wheels of Trolley have to be locked, when the system and its accessories are assembled or when the system is applied stationary.
 - All wheels of the Trolley have to be unlocked before the Trolley is pushed.
 - Make sure that the Trolley is parked.
 - Make sure that the Trolley is not parked on strongly uneven surfaces.
 - To prevent the Trolley from tipping over, the handle of the Trolley must be held if the Trolley is driven over obstacles (for example power cords).
 - Avoid an excessive force to push the Trolley.
 - No changes to this product are permitted.
2. Follow the maximum load weight indicated on the load label.
 - IT IS FORBIDDEN TO SIT ON THE CART
 - PUSHING PROHIBITED
3. Installation and maintenance must be performed by qualified technical personnel and following the assembly instructions.
4. On request, it is possible to provide spare parts after the approbation by **SPACELABS**.

ASSEMBLY

The assembly instruction of the Trolley is described in the [pages 3-4](#).

MAINTENANCE AND CLEANING








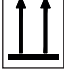






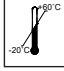



- Check all fixing points and mechanisms every 6 months.
- The product is only suitable for use of indoor environments.
- Regularly clean the metal and/or plastic surfaces with non-corrosive neutral pH detergents and a cloth/sponge/brush with soft bristles.
- Do not pour directly on surfaces liquids, chlorine-based or ammonia-based detergents, greasy and oily substances.

DISPOSAL

- The useful life of the product is 10 years, after this life, the trolley must be disposed of according to the regulations in force in the respective countries.





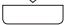
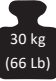
SYMBOLS

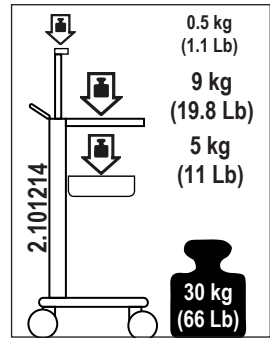
The following symbols are displayed on the product or in the instruction:

	Caution		CE-Marking		Catalogue number
	Operation instruction		Manufacturer		Product Number
	Humidity limitation		Orientation		Date of manufacture (YYYY/MM/DD)
	Keep dry		Keep away from sunlight		Fragile, handle with care
	Magnetic resonance unsafe		Batch code		Temperature limit
	It's forbidden to sit on the cart		Pushing Prohibited		Distributed by

R_x Only CAUTION: Federal (USA) law restricts this device to sale by or on the order of a physician

CAUTION

-  0.5 kg (1.1 Lb) Maximum load (patient cable supp.)
-  9 kg (19.8 Lb) Maximum load (top plate)
-  5 kg (11 Lb) Maximum load (basket)
-  
-  30 kg (66 Lb) Total weight



Distributed by: Spacelabs Healthcare, Inc.

35301 SE Center Street

Snoqualmie, WA 98065

U.S.A.



Multix Solutions s.r.l.

Via Padre Rovagnati 2

22066

Mariano Comense (CO)

Italy

